

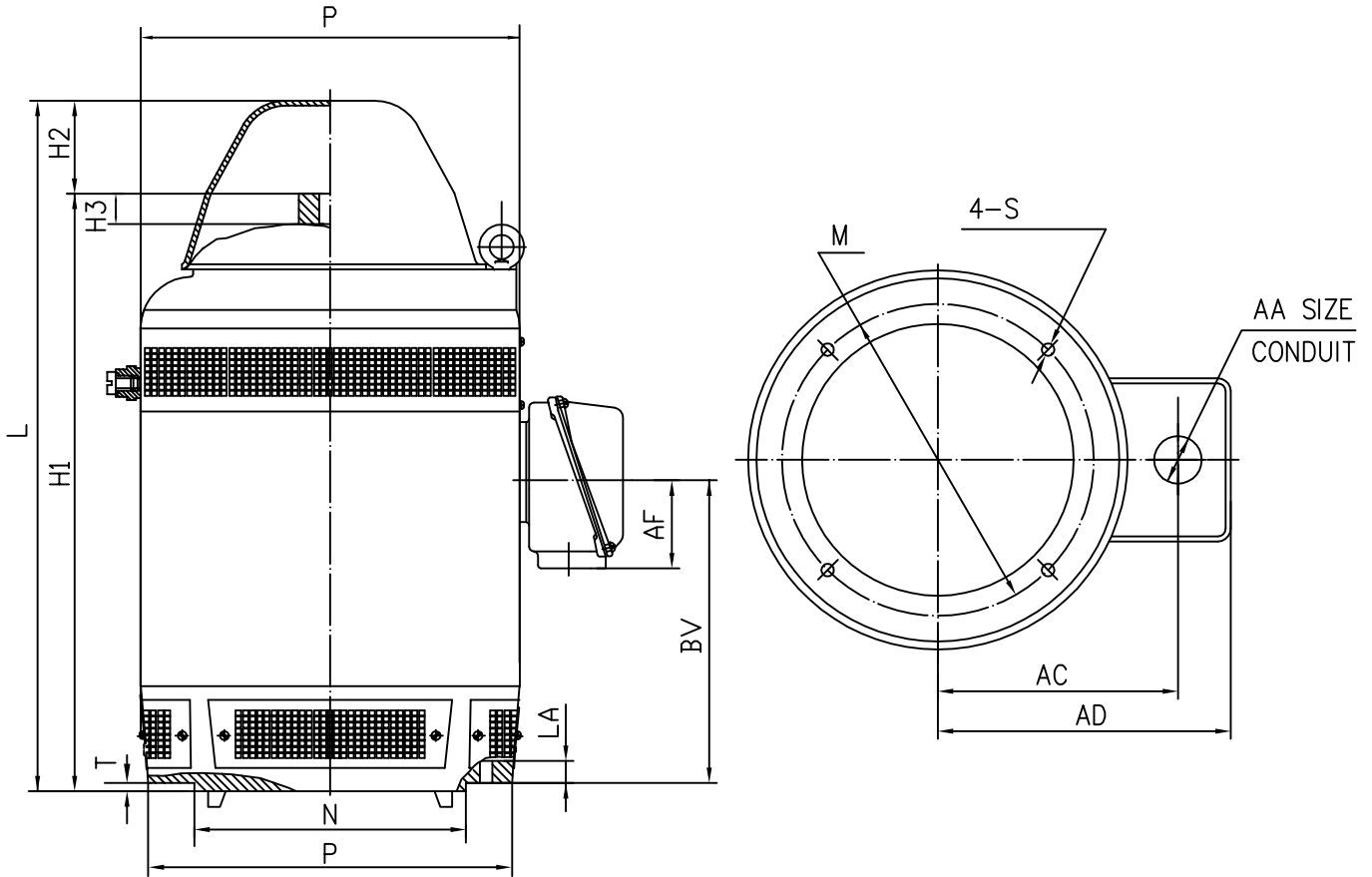


YLB THREE PHASE INDUCTION MOTORS

FRAME: 180 IP23 HIGH THRUST

PRINT: XD1-1-02A

SHEET: 1 OF 1



FRAME	UNITS	H1	H2>	H3	M	N	P	S	T	L
180-2P	MM	750	90	53	267	235	370	15	5	885
180-4P	MM	750	90	53	370	330	370	19	5	885

CONDUIT BOX MATERIAL	UNITS	AA	AD	AC	BV	AF
CAST IRON	MM	M36	315	215	341	130