

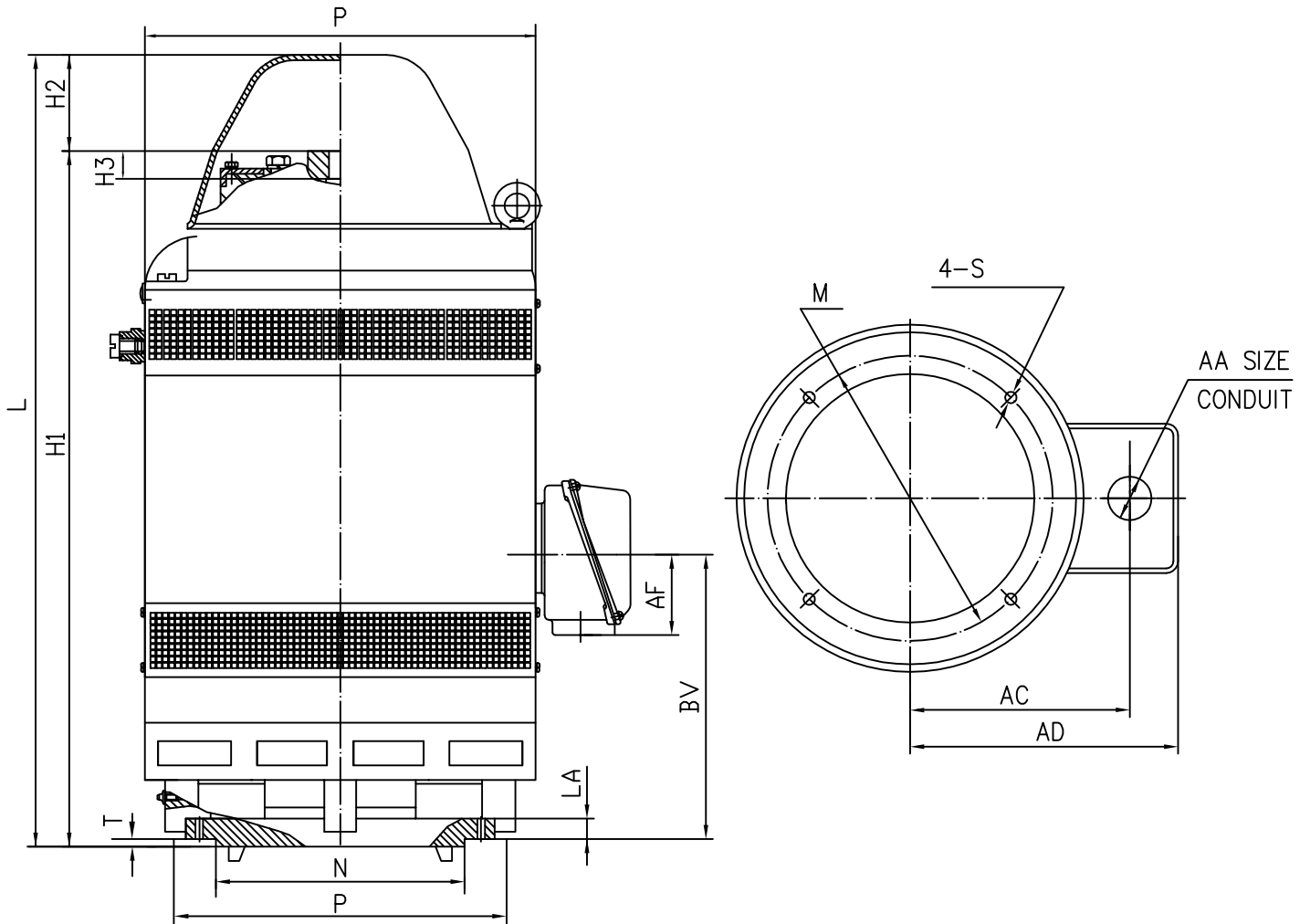


# YLB THREE PHASE INDUCTION MOTORS

FRAME: 250 IP23 HIGH THRUST

PRINT: XD1-1-04C

SHEET: 1 OF 1



UNITS	H1	H2>	H3	M	N	P	S	T	L
MM	964	105	90	440	380	510	19	5	1175

CONDUIT BOX MATERIAL	UNITS	AA	AD	AC	BV	AF
CAST IRON	MM	M64	395	324	478	150