

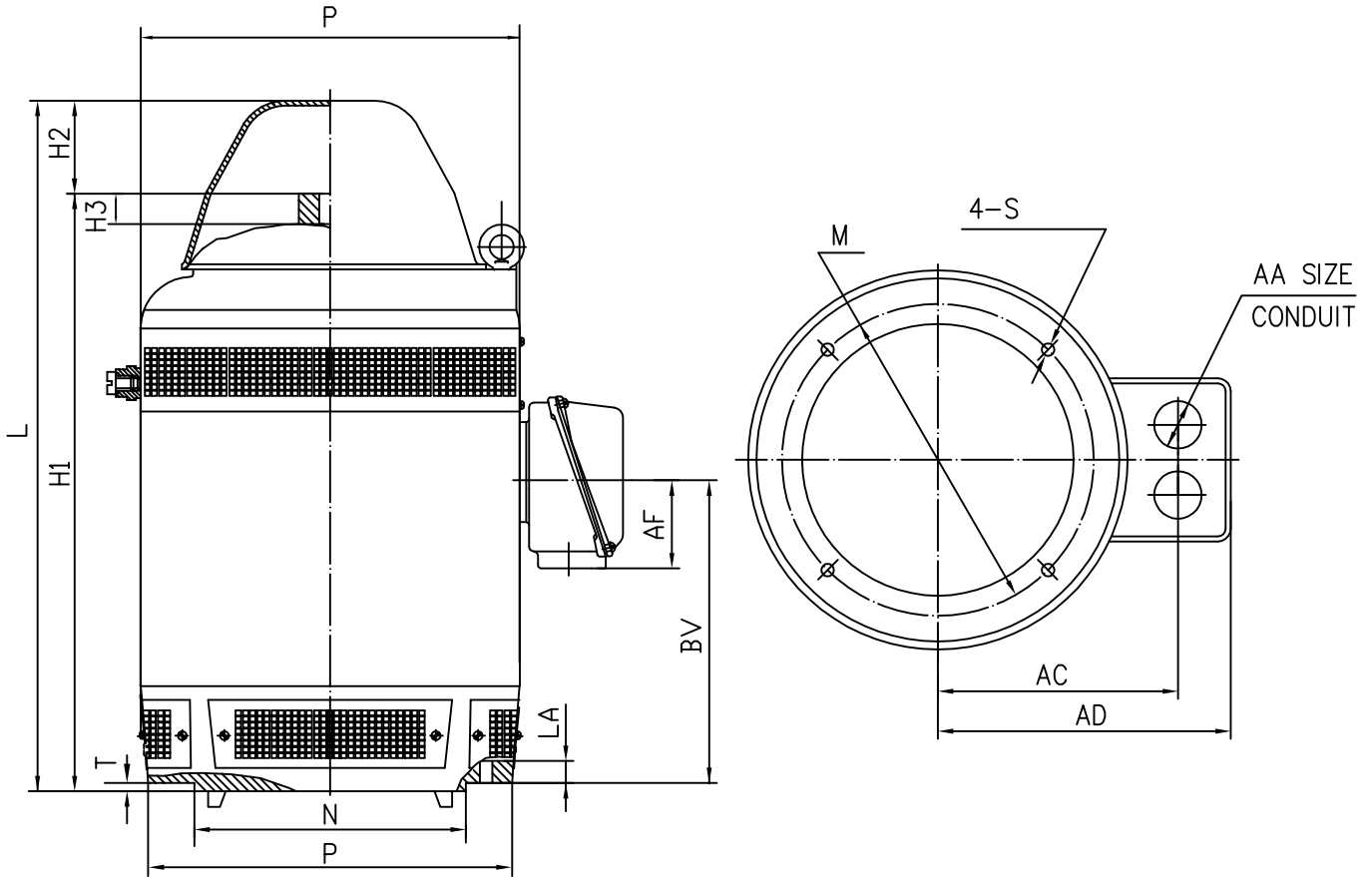


YLB THREE PHASE INDUCTION MOTORS

FRAME: 280 IP23 HIGH THRUST

PRINT: XD1-1-05A

SHEET: 1 OF 1



FRAME	UNITS	H1	H2>	H3	M	N	P	S	T	L
280-1,2	MM	1055	120	92	480	420	570	24	5	1255
280-3,4,5,6	MM	1235	120	92	480	420	570	24	5	1392

FRAME	CONDUIT BOX MATERIAL	UNITS	AA	AD	AC	BV	AF
280-1,2	CAST IRON	MM	2-M64	558	420	500	178
280-3,4,5,6	CAST IRON	MM	2-M64	558	420	680	178