

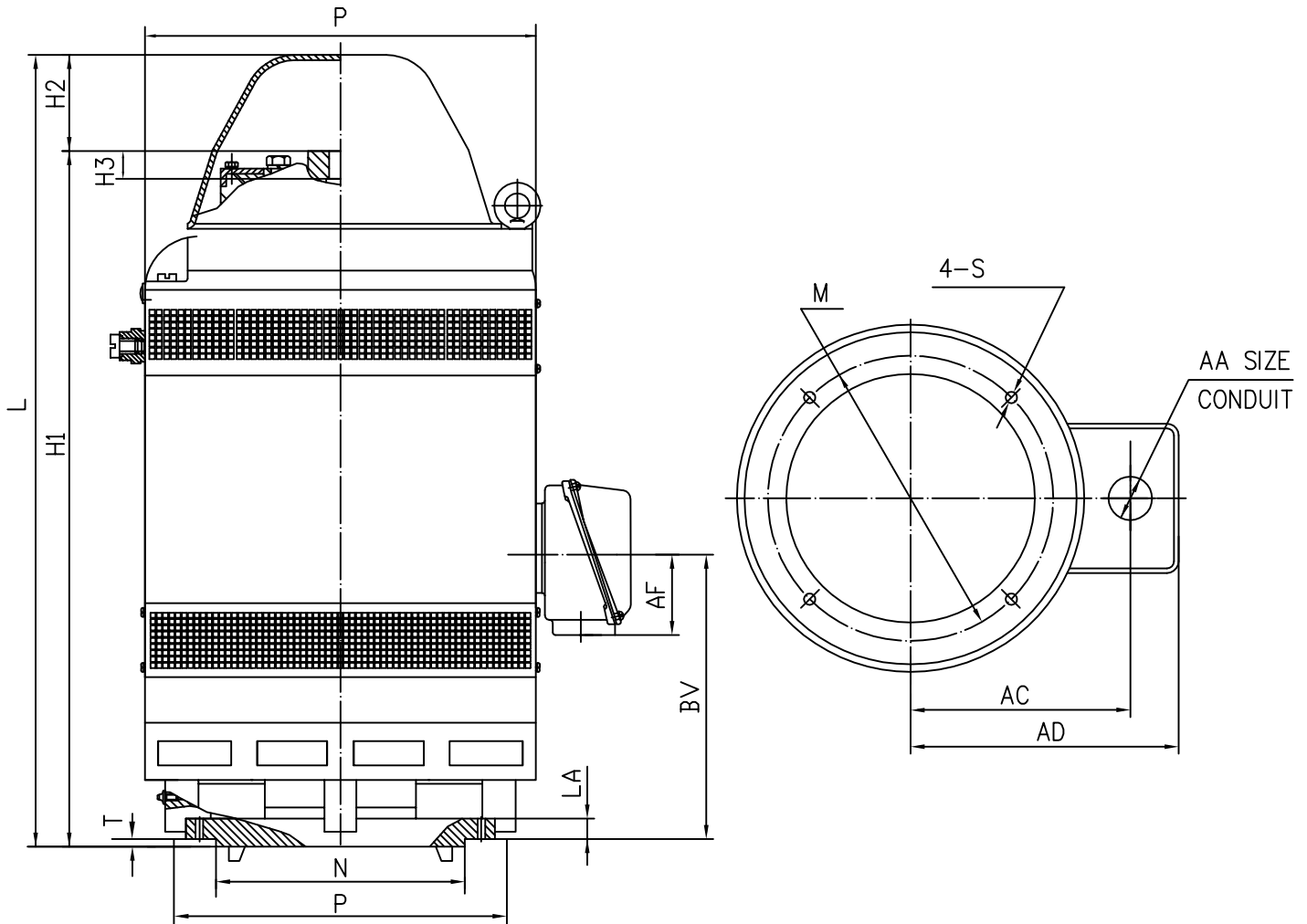


# YLB THREE PHASE INDUCTION MOTORS

FRAME: 315 IP23 HIGH THRUST

PRINT: XD1-1-06C

SHEET: 1 OF 1



FRAME	UNITS	H1	H2>	H3	M	N	P	S	T	L
315	MM	1243	130	100	600	550	660	24	6	1412
315A	MM	1243	130	100	520	460	660	24	6	1412

CONDUIT BOX MATERIAL	UNITS	AA	AD	AC	BV	AF
CAST IRON	MM	2-M72	585	465	670	180