

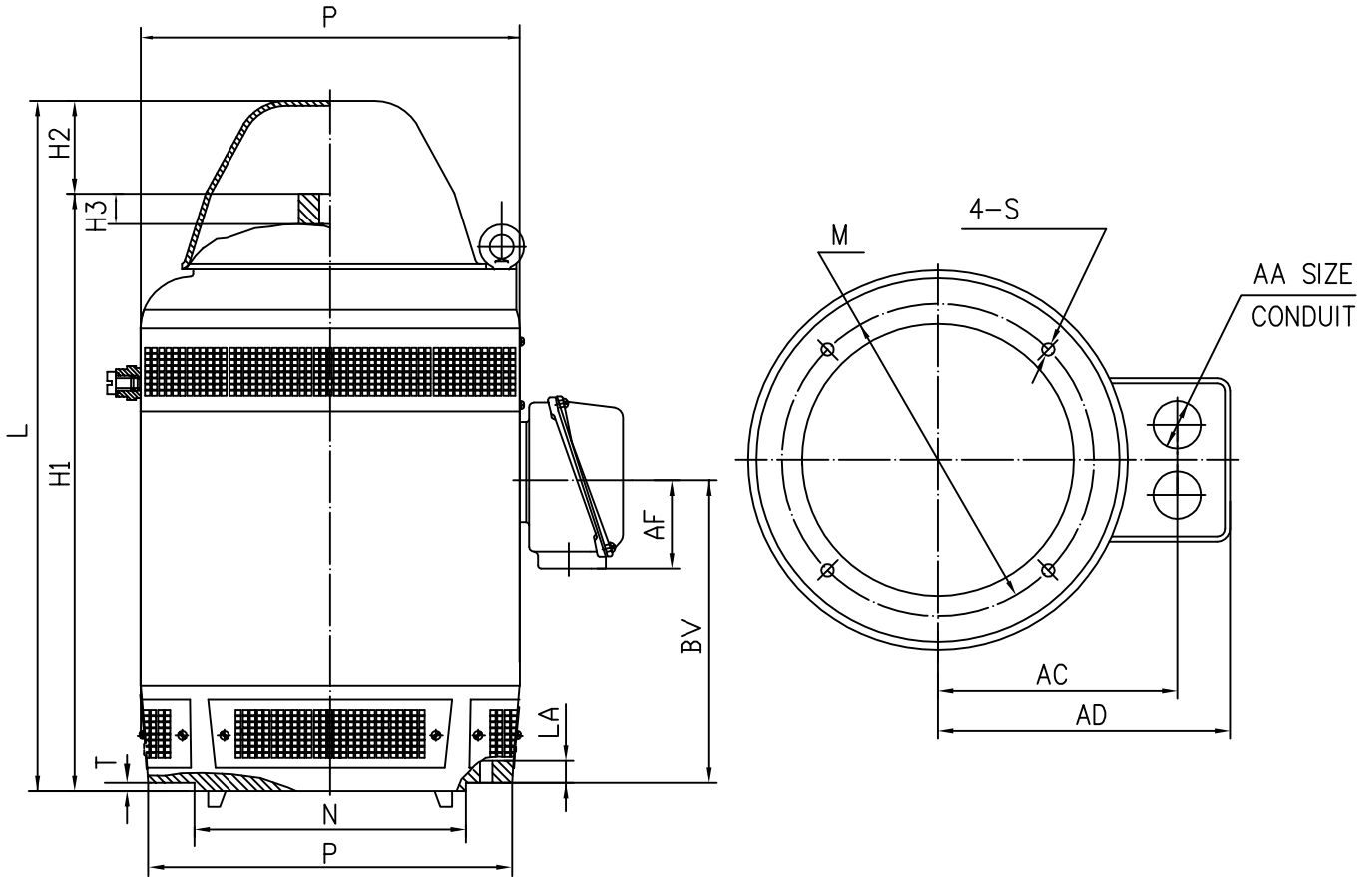


YLB THREE PHASE INDUCTION MOTORS

FRAME: 355 IP23 HIGH THRUST

PRINT: XD1-1-07A

SHEET: 1 OF 1



FRAME	UNITS	H1	H2>	H3	M	N	P	S	T	L
355	MM	1445	130	100	740	680	800	24	6	1600

CONDUIT BOX MATERIAL	UNITS	AA	AD	AC	BV	AF
CAST IRON	MM	3-M72	700	520	780	260